

Model type:

CP059MD(X)AU

CP059MD(X)AUS

Commercial code:

F030005

General notes

Technical Documentation guidelines

You can find herewith some generic information to simplify consulting of technical documentation:

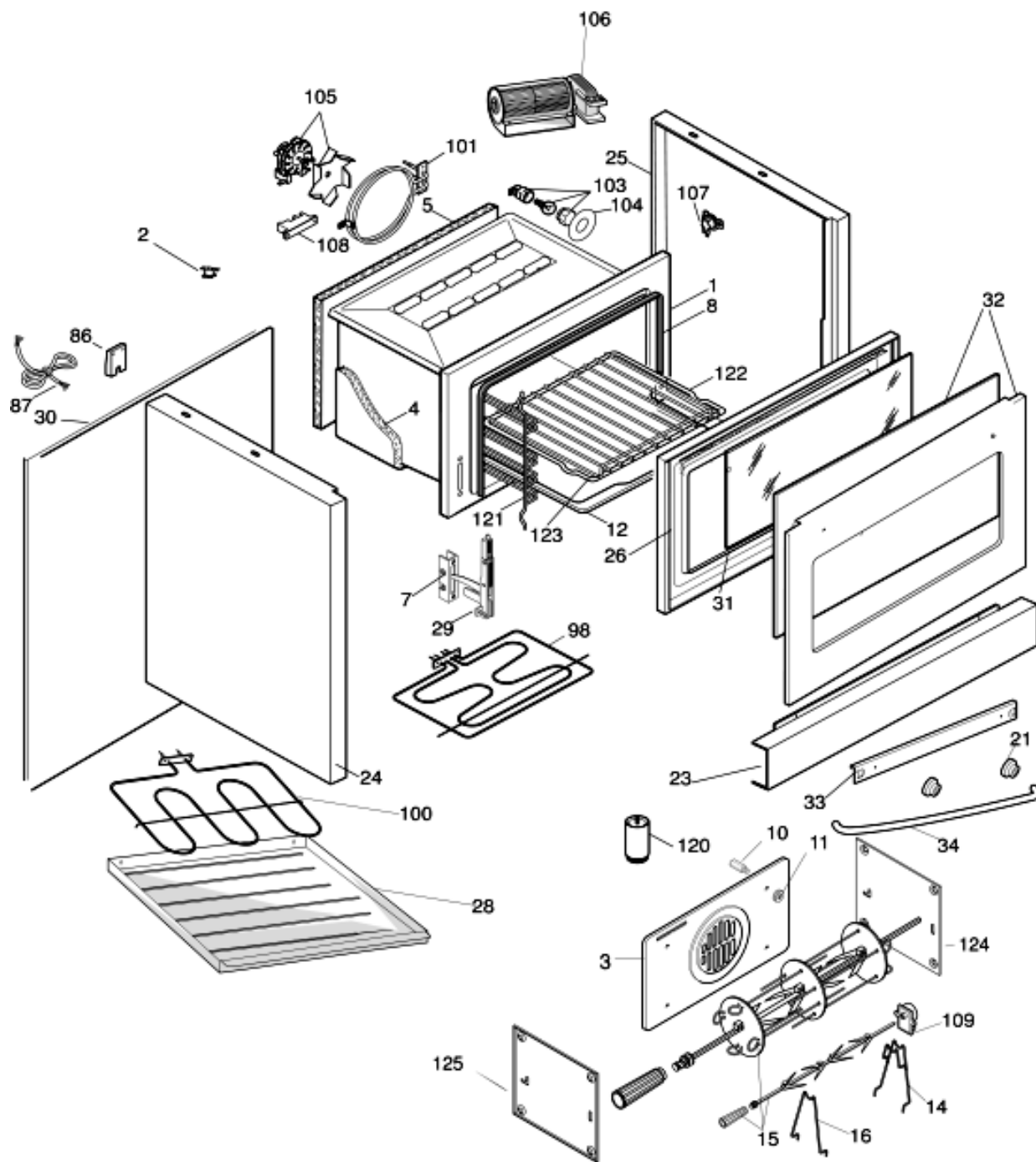
1. Models of same range share the same exploded views, which report the richest set of spare parts: generally, a model does not necessarily have a related spare part for each particular shown on exploded views.
2. Some spare parts can not be represented directly on the exploded views (instruction booklets, specific kit, etc...). You can find those codes in the spare parts list with the same reference of particular where spares are installed or with references 099, 999. Instruction booklets, once managed, appear with 000 reference.
3. On the higher right site of each exploded view there is a serial number which indicates the beginning of the production of certain range: some models might have more than an exploded view for a given category, each distinguished by a different serial no. and linked to another spare parts list, In this case, serial no. is required to supply the right spare part code. Exploded view to be considered is the one with a more recent serial no. but previous than the one of the model that needs assistance.
4. Exploded views might require further updates even after publishing. Addition of new spares will go on following the already existing numeration references. Revision number of an exploded view is shown into last four digits of serial number into upper right hand corner.
5. The spare parts list associated to an exploded view shows related codes of spares managed for a certain model; for each spare part other informations are available:

REF: reference no of spare into a table; SUBSTITUTE: list of spare(s) which can replace a code but that keeps same functional characteristics

INDUSTRIAL CODE: list of variables of a model (shown into model label) where such spare is used; NOTICE: code of information(s) to refer to complete technical intervention, track for changes or to find correct spare part code.
6. Some notices, into a same section are generic therefore cannot be directly linked to a spare part. In order to assist a model in the best way as possible, it is helpful to pay attention to all notices and constantly verify documentation updates
7. Technical documentation cover shows model name and its commercial codes

star0054

Exploded views



star0054

star0054

Spare parts list

Ref.	Code	From	To S/N	Substitute	Description	Notice	Industrial
000	C00110230				instruction book cp059md(x)aus		
001	C00090725 (482000077564)				oven gas - enamelled		
002	C00081599 (482000022708)				thermostat 75c n.a. (ck)		
003	C00050005 (482000053698)			1 x C00193995 (482000062042)	oven inner back panel- self cleaning		
004	C00092897 (488000092897)				oven insulation		
005	C00049970				oven insulation - back		
007	C00075148 (482000053760)			1 x C00271825 (482000031064)	roller support m26		79300050000
008	C00091946 (482000022767)				oven door seal		
010	C00051017 (482000026747)				pin mm26		
011	C00302785 (482000032241)				impellor zincato		
012	C00076073 (482000027368)				enamelled drip tray		
014	C00049974 (482000026716)				rotisserie support		
015	C00096739 (482000078366)				turnspit kit f.90 multispiedo		
016	C00049973 (482000026715)				holder tbc?		
021	C00082473 (482000022713)				handle spacer		
023	C00091974 (482000053488)			1 x C00091950 (482000077701)	base inox 90cm		
024	C00096721 (482000078363)				side panel left indesit		

025	C00096720 (482000028160)		side panel r/h indesit	
026	C00089083 (482000053657)	1 x C00143724 (482000029814)	oven metal inner door	
		1 x C00143726 (482000029816)		
		1 x C00145640 (482000030033)		
		1 x C00193991 (482000030163)		
028	C00091953		upper heating element box	
029	C00083113 (482000027588)		oven door hinge (fixed pivot)	79300050100
029	C00085563 (482000027681)		door hinge	
030	C00091954 (488000091954)		back panel cooker 90cm	
031	C00049936 (482000026710)		oven door glass - inner (564x306x4)	79300050000
031	C00143726 (482000029816)		inner glass	79300050100
032	C00095303 (482000055302)	1 x C00196042 (482000030247)	outer door glass cp059md.2	
033	C00091983 (482000077703)		plate clamp handle	
034	C00091984 (482000061759)		oven door handle ix	
086	C00056382 (482000026959)		terminal block	
087	C00062003 (482000075225)		supply cable 16a	
098	C00049942 (482000052653)	1 x C00141175 (482000022947)	heating element - upper grill	
100	C00049943 (482000054604)	1 x C00141176 (482000029546)	heating element - lower 1300w	

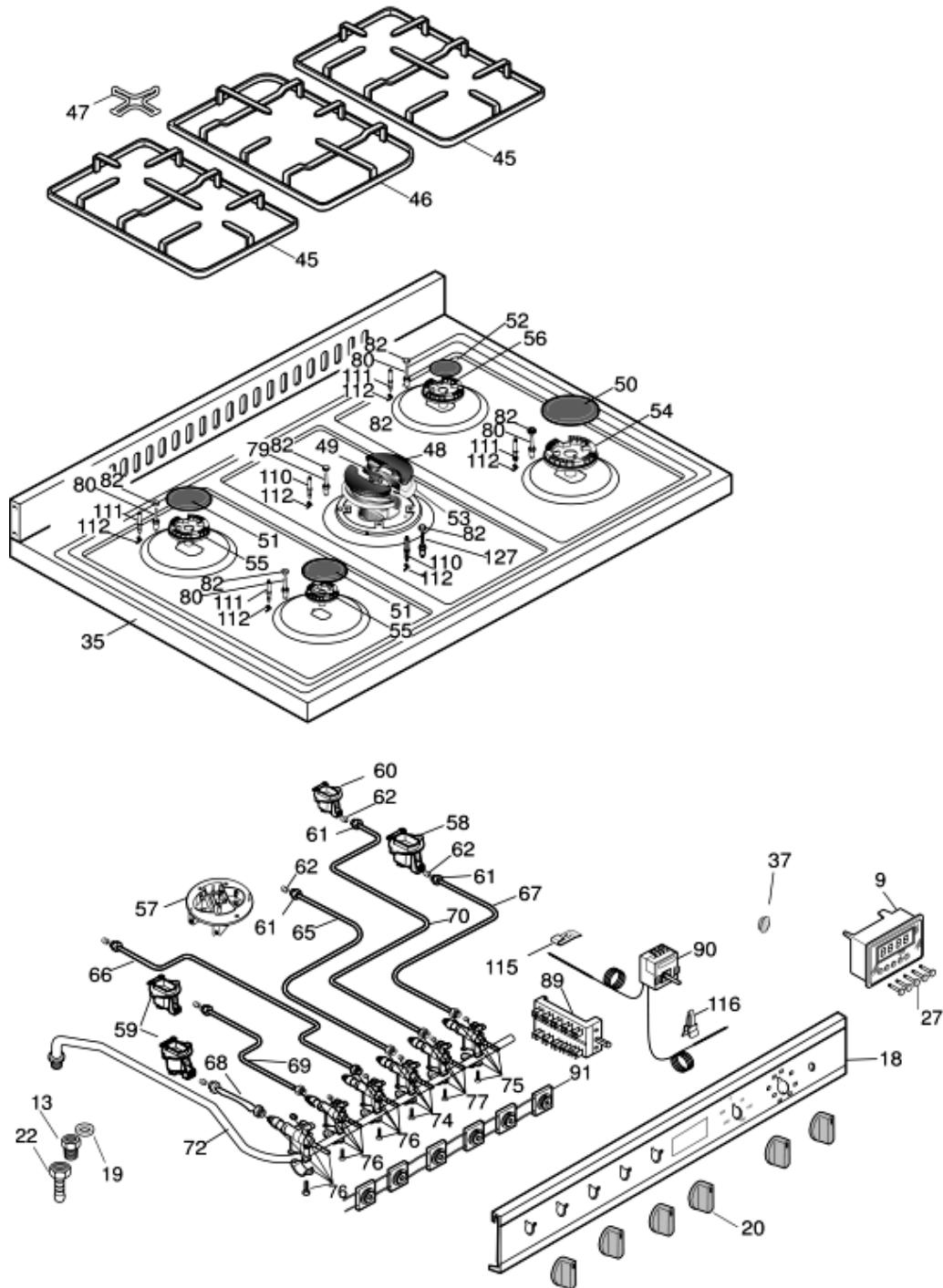
star0054

Spare parts list

Ref.	Code	From	To S/N	Substitute	Description	Notice	Industrial
101	C00052371 (482000052654)			1 x C00141180 (482000022948)	heating element fan oven star		
103	C00050003 (482000074502)			1 x C00280056 (482000031467)	lamp-holder complete		
104	C00052172 (482000074678)				protection		
105	C00060312 (482000027104)				fan motor		
106	C00033781 (482000026256)				motor fan/assy - ventilation(tangential)		
107	C00049968 (482000026713)				thermostat non adjustable		
108	C00031720 (482000022593)				6 points igniter + filter		
109	C00089098 (482000027775)				motor rotisserie		
120	C00074052 (482000027272)				foot inox		
121	C00066389 (482000027231)				side shelf		
122	C00110231 (482000079559)				oven grid shelf s/support aus (90)		
123	C00110232 (482000028455)				ov grid shlf aus bk-stp with hook		
124	C00050006 (482000053700)			1 x C00193994 (482000083095)	lh oven liner panel - self cleaning		
125	C00050007 (482000053699)			1 x C00193993 (482000083094)	rh oven liner panel - self cleaning		
999	C00265465				oven bottom cover		

star0055

Exploded views



star0055

star0055

Spare parts list

Ref.	Code	From	To S/N	Substitute	Description	Notice	Industrial
009	C00051477 (482000022634)				electronic program eaton 220-240v (rh)		
013	C00057349 (482000055071)			1 x C00010509 (482000025939)	not uk- hose ferrule - lpg		
018	C00095301 (482000061886)				dash board inox cp059md.2	N1015143	
019	C00010506 (482000025938)				sealing washer - gas elbow/pipe		
020	C00108815 (482000054395)		40509...	1 x C00111916 (482000028556)	knob cp/eg chromate	n1015068	
020	C00111916 (482000028556)	40510...			knob ix	n1015068	
022	C00056385 (482000055049)			1 x C00011040 (482000072645)	methane/town gas pipe		
027	C00090737 (482000027842)				knob ix (electronic prog) - star		
035	C00095302 (482000053753)			1 x C00266146 (482000086032)	working table ix cp059md.2 60x90		
037	C00074135 (482000022675)				neon lens clear		
045	C00085446 (482000027673)				grid for 2 burners 'star'		
046	C00085447 (482000027674)				1 burner grid star		
047	C00047805 (482000026654)				reducing grid 'star'		
048	C00084059 (482000076937)				external crown ghisa		
049	C00084058 (482000027616)				internal crown ghisa		
050	C00064920 (482000027181)			1 x C00319454 (480121104537)	burner cap rapide black		
051	C00064919 (482000027180)				burner cap - semirapide black semi gloss		

052	C00064918 (482000027179)	burner cap auxiliary black semi gloss
053	C00084061 (482000076938)	burner base/flame splitter - dcdr
054	C00052928 (482000026821)	burner ring/flame splitter - large
055	C00052929 (482000026822)	burner ring - medium
056	C00052930 (482000026823)	burner base/flame splitter - small burner
057	C00084063 (482000076939)	painted cup burner 8kw
058	C00052925 (482000026818)	burner cup - large burner
059	C00052926 (482000026819)	burner cup - medium burner
060	C00052927 (482000026820)	burner cup - small burner
061	C00060458 (482000075200)	nut m1 3x1
062	C00058506 (482000075095)	cone elbow 'star'
065	C00091986	front right burner supply pipe dc-dr
066	C00091987	front right burner supply pipe dc-dr
067	C00091988 (482000077704)	pipe tap rapid
068	C00091969 (482000077702)	semi-rapid burner supply pipe
069	C00091970	front left burner supply pipe
070	C00091989	front right burner supply pipe
072	C00091990 (482000077705)	distributing

star0055

Spare parts list

Ref.	Code	From	To S/N	Substitute	Description	Notice	Industrial
074	C00098664 (482000078588)				thermostat with valve to by-pass 0,52		
075	C00096735 (482000078365)				gas tap with valve by-pass 0,38		
076	C00059239 (482000027071)				gas tap with valve by-pass 0,27		
077	C00059241 (482000027073)				thermostat with valve semirapido		
079	C00059241 (482000027073)				thermostat with valve semirapido		
080	C00052986 (482000026835)				thermocouple ** not for triple burner**		
082	C00093834 (482000027985)				screw nut m6		
089	C00074281 (482000027293)				light switch 10 pole star		
090	C00074273 (482000027290)				thermostat (ck)		
091	C00091991 (482000027896)				microswitches n06		
110	C00087386 (482000027730)				spark electrode bruc.dcdr new		
111	C00052951 (482000022639)				ignition electrode (l=700)		
112	C00052934 (482000026827)				electrode clip		
115	C00049971 (482000074501)				flat spring retainer-thermos.capil. mm26		
116	C00059234				flat spring retainer-thermos.capil.		
127	C00097821 (482000028235)				thermocouple - triple burner		

Notices

N1015143: INTRODUCTION OF FRONT SUPPORT

The front support C00111782 must also be ordered together with fronts C00095301 and C00091973, to be stuck on the fronts with biadheseive for correct installation of the Programmer.

Given below are the relevant trade part codes:

79282480000	CP 059 MD
79288290000	CP 059 MD(X) F
79288290100	CP 059 MD.3 (X) F
79288290200	CP 059 MD.3 (X) F
79294150000	CP 059 MD .2
79294150100	CP 059 MD .2
79300050000	CP 059 MD (X) AUS
79302540000	CP 059 MD (X) DE
79288290300	CP 059 MD.3 (X) F
79294150200	CP 059 MD .2
79300050100	CP 059 MD (X) AUS

n1015068: Buttons - New chrome finish

From serial number 405100001 onwards, replacement of buttons 108815 by buttons 111916.

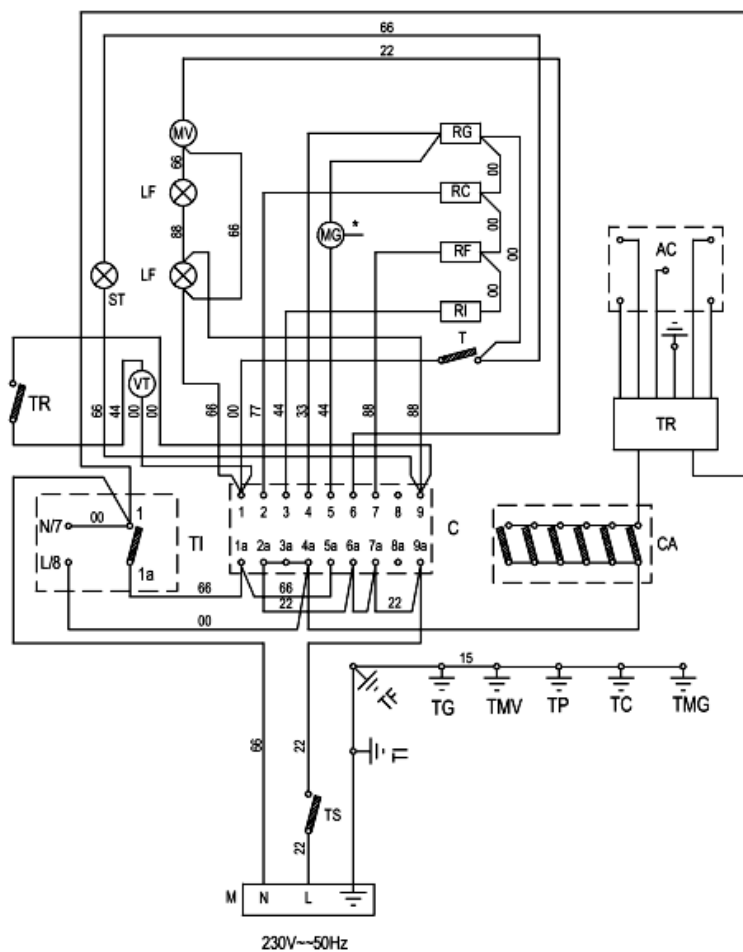
The old and new buttons are not individually interchangeable because the chrome finish is different.

The old buttons will be used by the spare parts department until stock runs out.

Then, if replacing buttons on an appliance whose serial number is before 405100001, all of the buttons must be changed.

Electric schemes and links

Cod. 16001642601



se16001642601

Legend

Legend: 16001642601

AE	Ignition transformer	PE	Plate electric (Normal and Rapid)
AT	Ignition transformer	PEL	Wall socket
CF	Oven commutator	PIF	Cooking programmer
CP	Plate commutator(Normal end Rapid)	POT	Thermostated potentiometer
CT	Plate commutator(Automatic)	PT	Termoprotector
DC DR	Double Knob double crown burner control card	PTC	Thermostated sensor
EV	Electro-Valve	RCE	Grill heating element ex- ternal
FC	End of cooking programmer	RCI	Grill heating element internal
FRONT	Daschboard	RE	Energy regulator
I/LF	OVEN LIGHT SWITCH	RF	Oven lower heating element
I/LF-MG	OVEN LIGHT SWITCH + ROTISSERIE	RG	Grill heating element
I/MG	TURNSPIT SWITCH	RG COM	Grill heating element un- ion
IL	Knobs' Lighting	RV	Heating element ventilated oven
ILG	Lamp switch turnspit	SA	Boiler operating led
IT	Thermostated switch	SB	Thermostated burner led
L	Line (Feed)	SF	Warning light working
LF	Oven light	SO	Probe temperature
LI	Oven light	SP	Operating Indicator Light for the Plate
M	Suction motor handle	ST	Warning light thermostat
MG	Turnspit motor	TH	Thermostat fixed
MO	Terminal board	TH2	Thermostated burner cooling
MUFF	Oven	THR	Adjustable thermostat
MV	Fan motor	TP	Termoprotector
N	Neutral (Feed)	TRAV	Support terminal board
PA	Ignition push-button	TRM	Thermostated burner control card