

Onity **e-Cylinder AutoMAX** is a new generation waterproof RFID electronic cylinder, with IP67 resistance rating. It is the perfect access management solution for guestroom and staff doors at hotels, especially if they are located outdoors. It brings a high security level using MiFare® anti-forgery key reading.

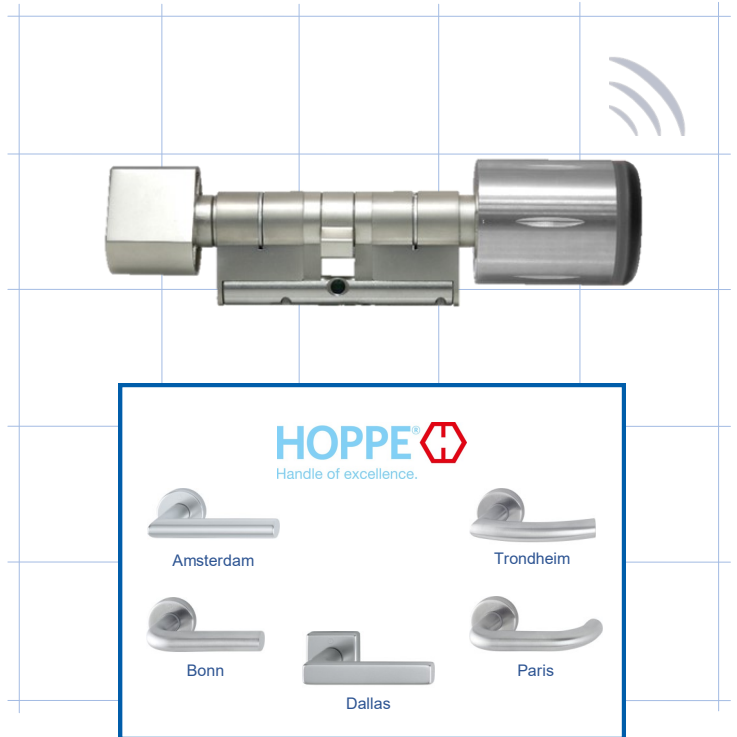
The Onity electronic cylinder range is the ideal solution for renovation projects as they **only require changing the mechanical cylinder for the electronic one**, with no need to modify the door structure. Therefore, their installation is extremely quick and easy.

Advantages

- Easy installation, as simple as replacing the mechanical cylinder by the RFID electronic one
- Off-line (no wiring required)
- No need to change existing doors
- Withstands extreme environment conditions (IP67)
- Compatible with Onity Intellity RFID and OniSwitch RFID intelligent energy savers

Features

- Easy installation and easy to use
- EURO mortise profile
- Works with MiFare® Classic/EV1 contactless cards/tags
- Smart sleep mode for energy saving
- Cylinder size: 60 mm (30/30) to 180 mm (90/90), symmetrical or asymmetrical (body size, without reader head or knob). Sizes in multiples of 5 mm (min. 30/30)
- Minimum backset: 25 mm
- Reading distance: 5 mm
- Finish: Stainless steel
- Modular design
- Anti-drilling protection
- Stainless steel bar for anti-twisting
- Operation temperature: -20°C to 70°C
- Battery spec: 1 x CR2 type (included)
- Battery life: 2 years approx. in standby (40.000 ops.)
- Acoustic low battery warning
- Upgradeable firmware



Certifications

- Fire rated: The range surpasses EI30 and EI60
- DIN EN 15684
- RED Directive 2014/53/EU
- EMC Directive
- RoHS Directive
- LVD Directive

Other cylinder options

RFID electronic half cylinder



- Application: one way exit doors, warehouses etc.
- Cylinder size: 40 mm (30/10) to 100 mm (90/10)
- Same specification as standard model.

RFID electronic double cylinder



- Application area: Passage doors, Public doors.
- Cylinder size: 60 mm (30/30) to 180 mm (90/90), symmetrical or asymmetrical.
- Same specification as standard model.

Onity AutoMAX is an auto-programmable card based electronic cylinder system; simple but efficient, it offers an access management solution which maximises security, even when cards are lost.

It enables to program users without the need of any software or management devices; personalised locking plans can be easily configured from the cylinder itself, just by using a set of contactless RFID cards.

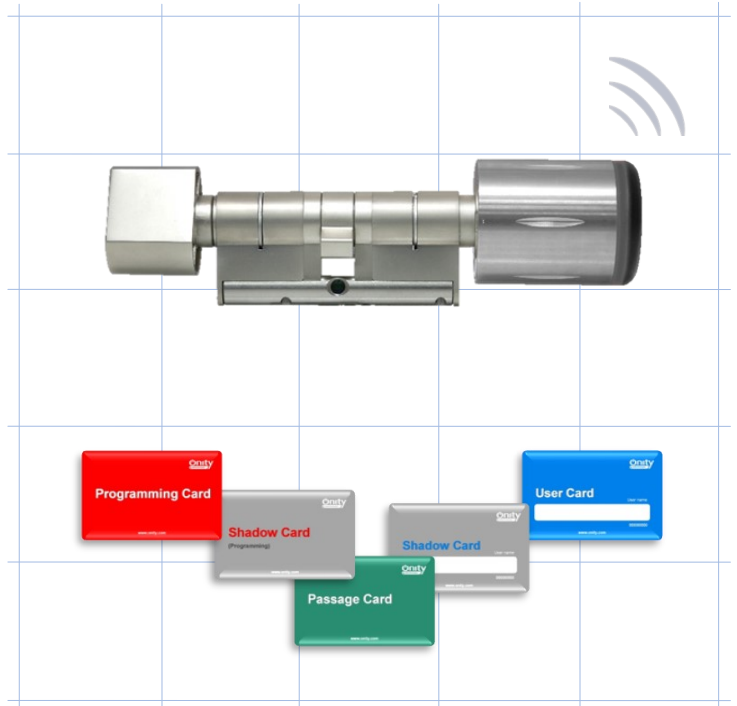
Features

- User friendly and easy to use
- No additional equipment required
- RFID Technology: MiFare® Classic/EV1 (13.56Mhz)
- Works with the Onity Auto-Programmable e-Cylinder range (all models including standard, half and double cylinders)
- Maximum number of users: 1,000
- Maximum number of cylinders: Unlimited




How it works

The system consists of a KIT which includes:

- Fitting key
- Five card types:
 - **Programming Card:** to authorize User Cards 1 unit
 - **User Card:** To open authorised cylinders 20 units
 - **Passage Card:** to activate a User Card with Office Mode function (leaving the door permanently open) - 1 unit
 - **Shadow Programming Card:** Only required in the event of a Programming Card getting lost 1 unit
 - **Shadow User Card:** Allows to delete lost User Cards - 20 units



Cylinder options

- e-Cylinder AutoMAX 
- Half e-Cylinder AutoMAX 
- Double e-Cylinder AutoMAX 

Wall Readers

- Standard wall reader
- Wall reader for outdoors (IP67)



In answer to today's increasing design conscious hotel requirements, Onity has partnered with HOPPE Group, a leading hardware producer, to offer a range of handles which combines an aesthetically pleasing look with top of the range quality and durability. Hotels can this way obtain a comprehensive door solution from Onity, which will also match their decoration, no matter the style.

This range of handles has been developed following European standards, and it is compatible with all the Onity e-cylinder models.



Handle of excellence.

Founded in 1952 and today globally present with over 2,500 employees, HOPPE Group is a leading door and window handle supplier with a comprehensive product range, wide innovative capability and technological leadership in their segment.

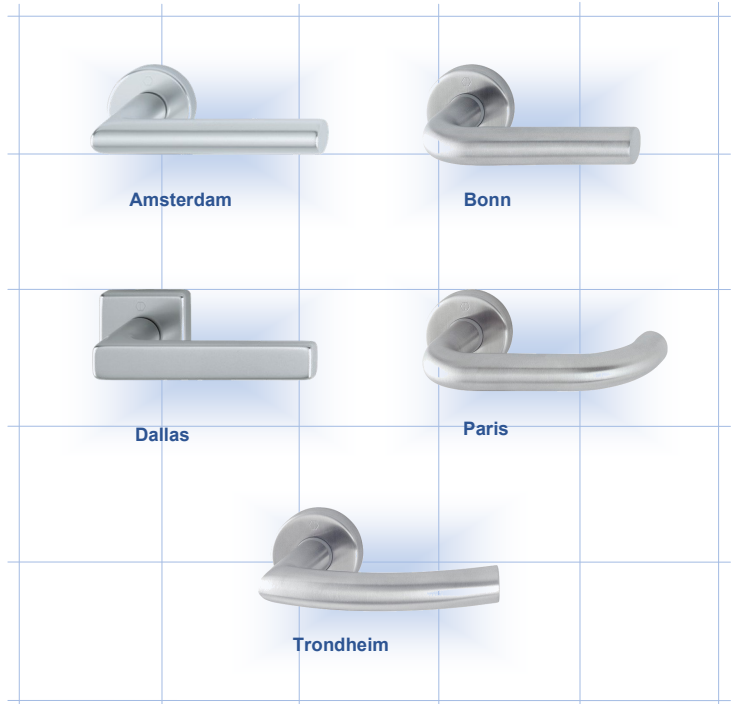
Always making sustainability a priority, HOPPE products undergo numerous tests to ensure flawless operation, including static impact and durability tests depending on the product type. These extend beyond standard tests and requirements to closely reflect the everyday knocks hardware has to take.

Handle Specifications

- F69 satin stainless steel handle sets
- EURO mortise profile
- Spindle size: 8 mm
- 2 configuration ranges, with knob & handle or large escutcheon (ideal for renovation projects)
- Door thickness: 37-42 mm with standard range, please check availability for other sizes
- Quick-Fit connection, no Allen screws



10 year operational guarantee



SecuSan[®], the new hygiene standard

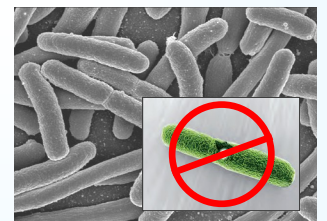
Many medical issues are associated with infections, and 20 to 30% of them could have been prevented through closer hygiene control.



SecuSan handles offer a solution that provides active protection wherever people are present in large numbers, be it in hospitals, hotels, schools, industry or leisure facilities. SecuSan handles help to ensure high hygiene standards.

SecuSan is a special antimicrobial surface for HOPPE handles, which immediately suppresses microbial growth on a lasting basis. It is entirely maintenance-free and designed for long-term use. Its high level of efficacy has been confirmed in independent laboratory and practical tests, they have proved that **SecuSan reduces microbial growth by more than 99%; a reduction factor of 60% can be achieved after just 5 minutes.**

- Immediately combats germs
- Preventive effect
- Wear-free



SecuSan surfaces contain silver ions which are embedded in a carrier system of ceramic glass. The silver ions destroy the cell membrane of the germ and this stops respiration and nutrition of the cells, preventing cell division.

Model	Knob & handle layout (new doors)	Large escutcheon layout (retrofit)	Dimensions (mm)
Amsterdam			
Bonn			
Dallas			
Paris			
Trondheim			

Features

- Compact design
- Easy installation
- Programmed with AutoMAX system cards
- Works with RFID MiFare[®] Classic/EV1 (13.56Mhz) contactless cards and tags
- Reading distance: up to 40 mm
- Acoustic indication of card acceptance
- LED indication light
- For indoor installation

Technical Specifications

- Pre-wired with 3m cable to Wall Controller (10m cable optional)
- Surface mount
- Powered from the controller
- Communication to controller through RS485
- Current draw: 100mA
- Operating temperature: -20°C to 70°C
- Resistance to extreme environment: IP55
- Reader dimensions: 115 x 39.95 x 13.2 mm.



Wall Reader Controller

- Firmware upgrades by the programmer
- Power: 12Vdc - 24Vdc
- Current draw: 250mA
- Number of wall readers: 2
- Link to wall reader by RS485 cable
- Number of inputs: 4
- Number of outputs: 2 relay outputs
- Exit button input
- Operating temperature: -20°C to 70°C



Features

- Compact design with metallic frame
- Supplied with a separate mounting plate for ease of installation
- Programmed with AutoMAX system cards
- Works with RFID MiFare® Classic/EV1 (13.56Mhz) contactless cards and tags
- Reading distance: up to 25 mm
- Acoustic indication of card acceptance
- LED indication light
- For indoor or outdoor installation

Technical Specifications

- Pre-wired with 3m cable to Wall Controller (10m cable optional)
- Surface fix or to be mounted on standard UK flush back box
- Powered from the controller
- Communication to controller through RS485
- Current draw: 100mA
- Operating temperature: -20°C to 70°C
- Resistance to extreme environment: IP67
- Reader dimensions: 90 x 90 x 13 mm.



Wall Reader Controller

- Firmware upgrades by the programmer
- Power: 12Vdc - 24Vdc
- Current draw: 250mA
- Number of wall readers: 2
- Link to wall reader by RS485 cable
- Number of inputs: 4
- Number of outputs: 2 relay outputs
- Exit button input
- Operating temperature: -20°C to 70°C

